

# OIL EXPELLER SERISE



**DONG KWANG OIL MACHINE CO.,**  
Oil Plant and Machinery

## 1. MACHINE SPECIFICATION

MODEL	CAPACITY (BASED ON SESAME SEED)	POWER REQUIRED	DIMENSION (W*L*H/mm)	WEIGHT (Kg)
D-1680	6~10 Kg/Hr	3 KW	855×790 ×1062	150
D-1683-1	40 Kg/Hr	5.25 KW	1310×985 ×1520	550
D-1684-1	80~100 Kg/Hr	7.15 KW	1530×1150 ×1500	750
D-1685	200 Kg/Hr	11.4 KW	1750×1370 ×1468	950

\* Above measurement can change according to year change and customer request change.

## 2. MAIN MATERIAL

- . COMPRESSION PART: SKH-51, SKD-11, SKD-61
- . GEAR : S45C, SCM-4
- . OTHERS: S45C, SS41, coated steel
- . CONTROL BOX: SS41
- . MAGNETIC CONTACTOR: LS GMC SERISE

## 3. MACHINE FEATURE

1. Less floor space is required for machine install.
2. It is easy to operate machine, so it can save man power & time.
3. All parts contact with oil is made by stainless steel or coated steel for food.
4. Extracting rate is better than old machine with new designed extracting parts
5. It can extract oil from almost seed and the material which contained oil.
6. Our oil expeller have two high vacuum filtering device for clean oil.
7. Our oil expeller is good for bio diesel.



**DONG KWANG OIL MACHINE CO.,**  
Oil Plant and Machinery



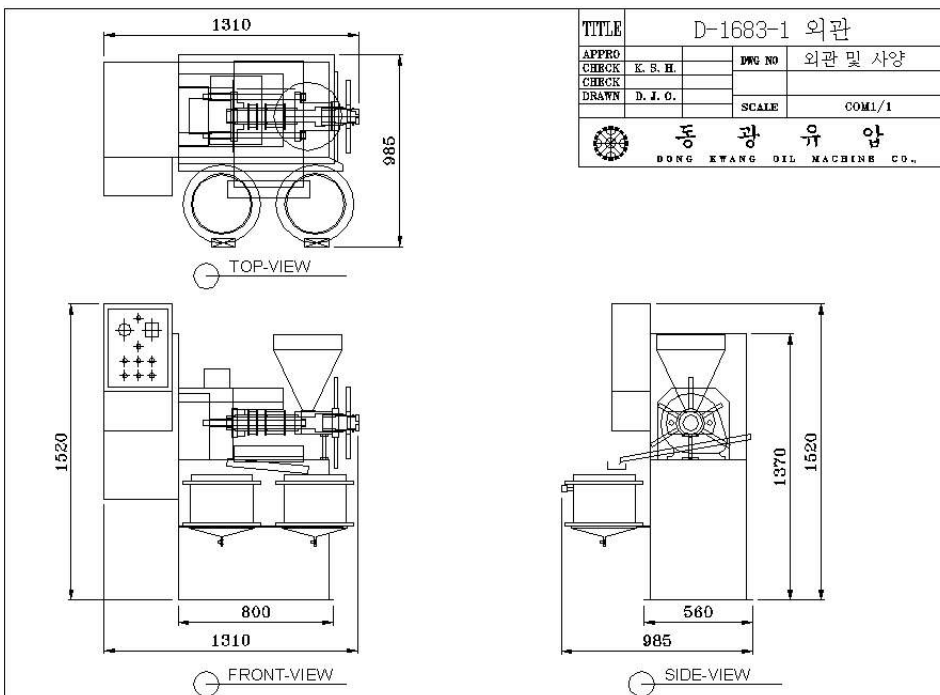
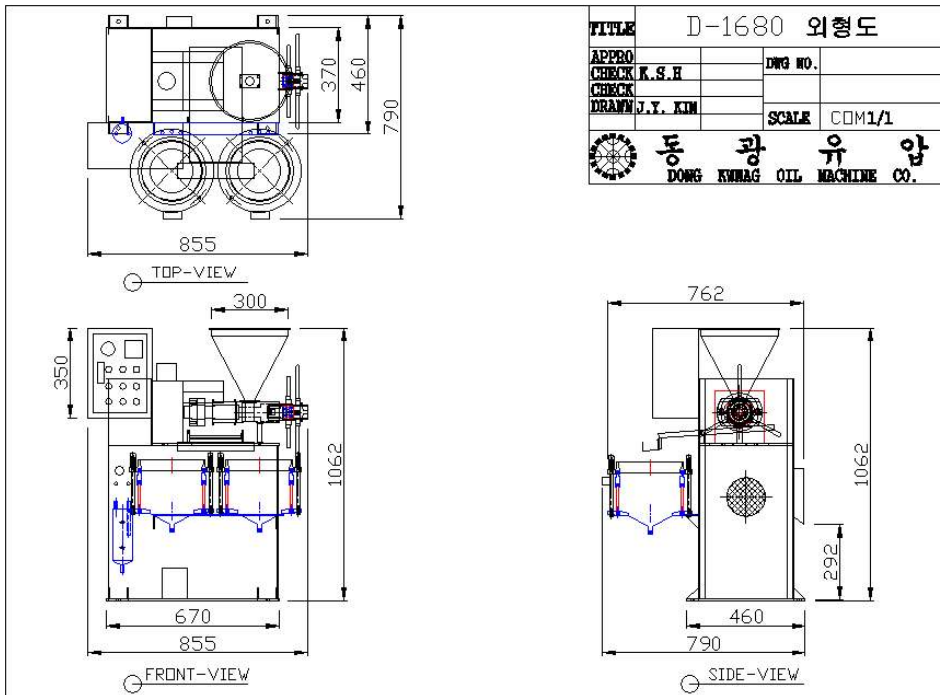
#### 4. ELECTRIC POWER REQUIRED

MODEL	POWER REQUIRED
D-1680	SINGLE PHASE, 220VOLT or THREE PHASE, 220 VOLT, 380 VOLT, 440 VOLT.
D-1683-1	THREE PHASE, 220 VOLT, 380 VOLT, 440 VOLT
D-1684-1	
D-1685	

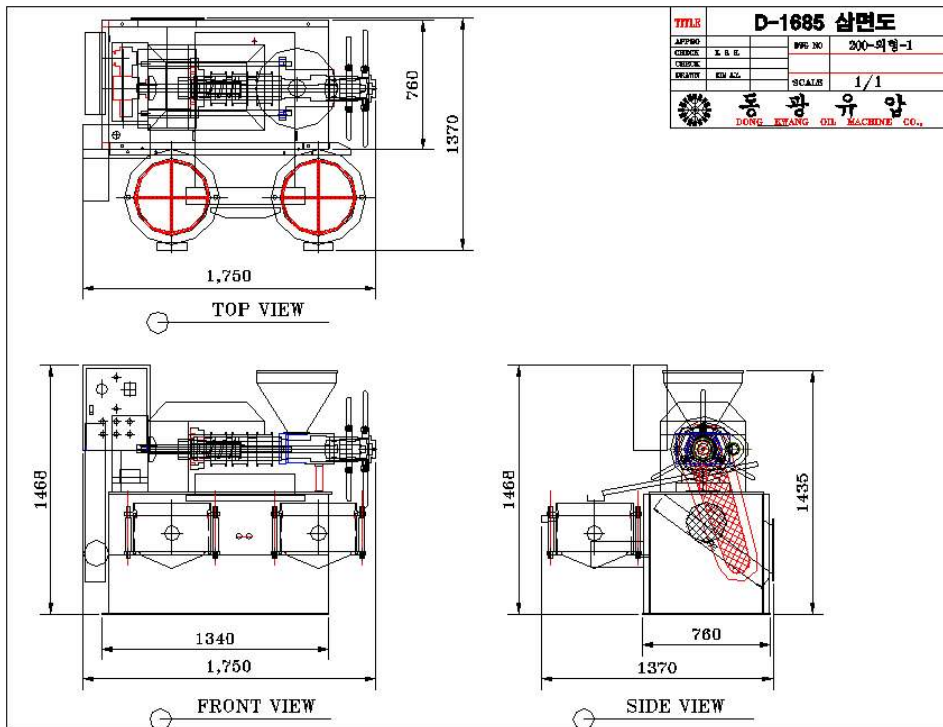
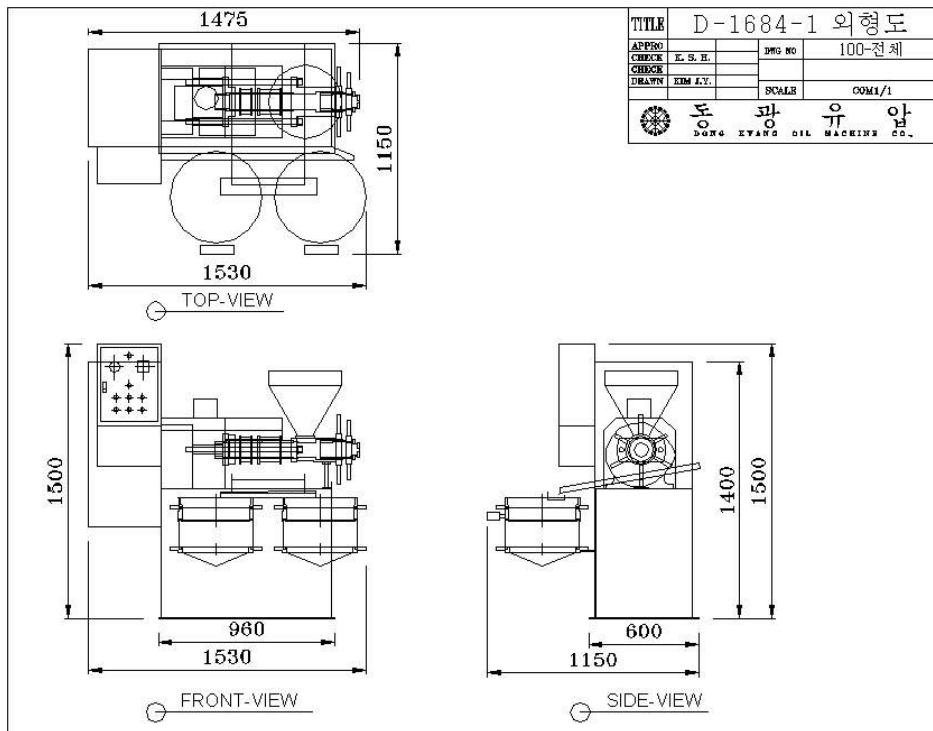


**DONG KWANG OIL MACHINE CO.,**  
Oil Plant and Machinery

## 5. MACHINE DIMENSION



**DONG KWANG OIL MACHINE CO.,**  
Oil Plant and Machinery



**DONG KWANG OIL MACHINE CO.,**  
Oil Plant and Machinery